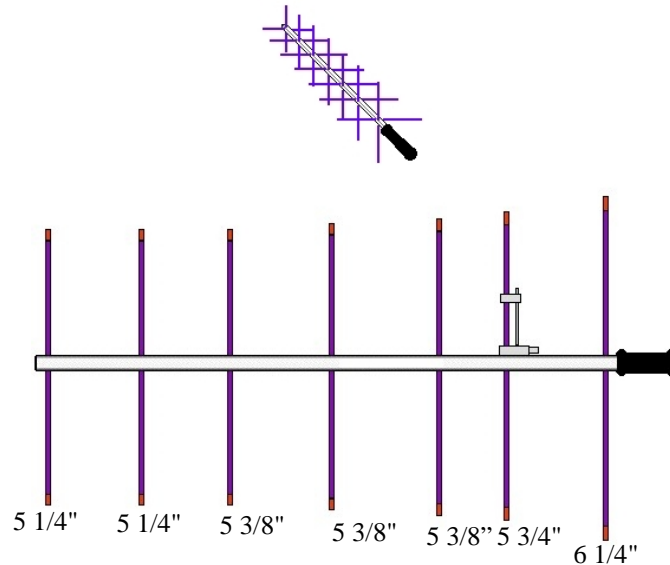


Arrow Antenna

1938 Wyott Drive
Unit D3
Cheyenne, WY 82007

ArrowAntennas.com
Simply the Best

(307) 222-4712
info@arrowantennas.com



14 Element Cross Polarized Portable Antenna for 70 cm

The Arrow II line of antennas has been engineered to provide maximum gain and efficiency in the smallest practical size & weight. **ONLY 25 oz.**

Aluminum **Arrow Shafts** are used for elements.

The in-line gamma match is pre-assembled & pre-tuned. BNC connector only.

The boom is $\frac{3}{4}$ \" square (with round corners) and $37\frac{1}{2}$ \" long. Note the big black foam grip for easy holding.

Boom & elements all have plastic tips for safety.

Guarantee

No hassle refund

If you are not completely satisfied with any ARROW ANTENNA Product it can be returned for a FULL refund less shipping and handling within 90 DAYS of purchase date.

SIMPLY THE BEST

Model

437 x 14

14 Elements for the 70 cm band.

We don't invent antennas.
We simply build them better.

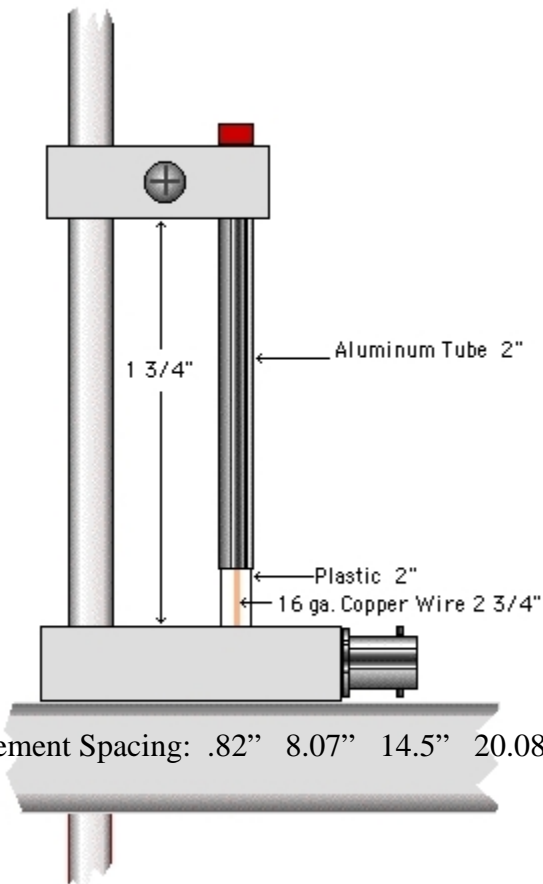
Part #

Model 437 X 14 Parts List

| | |
|------------|---|
| 43714 | 14 Element 437 Hand Held Boom (3/4" X 37 1/2" Long) |
| 437 6.2500 | 437 Reflector Element Pair - with End Caps, Inserts, & Stud (6 1/4 ") |
| 437 5.75 | 437 Driven Element pair - with Gamma Match, End Caps, Inserts & Stud (5 3/4") |
| 437 5.375 | 1st. through 3 rd Director Element Pair - with End Caps, Inserts, & 2 1/4 Stud (5 3/8 ") |
| 437 5.25 | 4rd through 5th Director Element Pair - with End Caps, Inserts, & Stud (5 1/4") |
| 2.250 | 2 1/4 " All Thread Stud for all Elements (2 for \$1.) |
| SC 9/32 | Red End Caps For Elements (10 for \$1.) |
| FP 125 | Black End Caps for the Boom (4 for \$1.) |
| 3128 Black | Black Foam Handle Grip |

Assembly Instructions

Attach the elements to the boom as shown above by screwing the elements together through holes in the boom. Attach feed lines to the BNC connectors. That's it. The antenna is pre-tuned and ready to go.



Boom Length 37 1/2" Element Spacing: .82" 8.07" 14.5" 20.08" 24.7" 26.62" 31.82"

ASSEMBLY CHECKLIST FOR OUR SHIPPING DEPARTMENT.

Circle Antenna Being Assembled:

437 x 14

___ Solid Boom

___ 14 element holes

___ Hole are clear

___ 4 tripod holes - threaded

___ End Caps

___ Foam Handle Grip

___ 4 @ 5 1/4" elements paired

___ 6 @ 5 3/8" elements paired

___ 2 @ 5 3/4" driven elements paired with 1 @ 5 3/4" non-driven element

___ 2 @ 6 1/4" elements paired