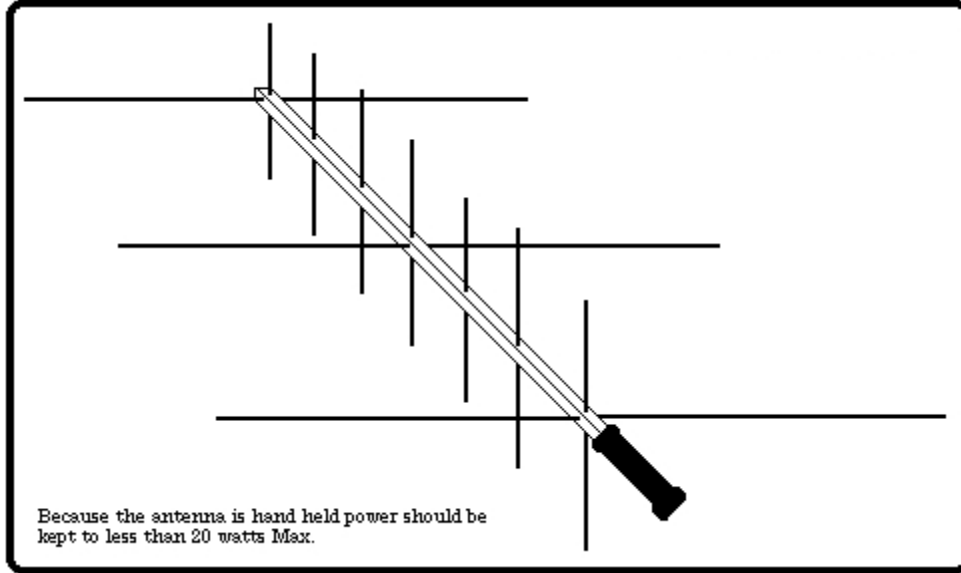


← Arrow Antenna →

911 E. Fox Farm Rd. #2
Cheyenne, WY 82007

ArrowAntennas.com
Simply the Best

(307) 222-4712
info@arrowantennas.com



Arrow II Aircraft Search & Rescue Antenna
For use on 121.5 MHz or 406 MHz

The Arrow II line of antennas has been engineered to provide maximum gain and efficiency in the smallest practical size & weight.

Aluminum **Arrow Shafts** are used for elements.

The 2 in-line gamma matches (not shown) are pre-assembled & pre-tuned. One connector for VHF and one for UHF. These are BNC only.

The boom is $\frac{3}{4}$ " square (with round corners) 40.7" long. Note the big black foam grip for easy holding.

Boom & elements all have plastic tips for safety.

Guarantee

No hassle refund

If you are not completely satisfied with any ARROW ANTENNA Product it can be returned for a FULL refund less shipping and handling within 90 DAYS of purchase date.

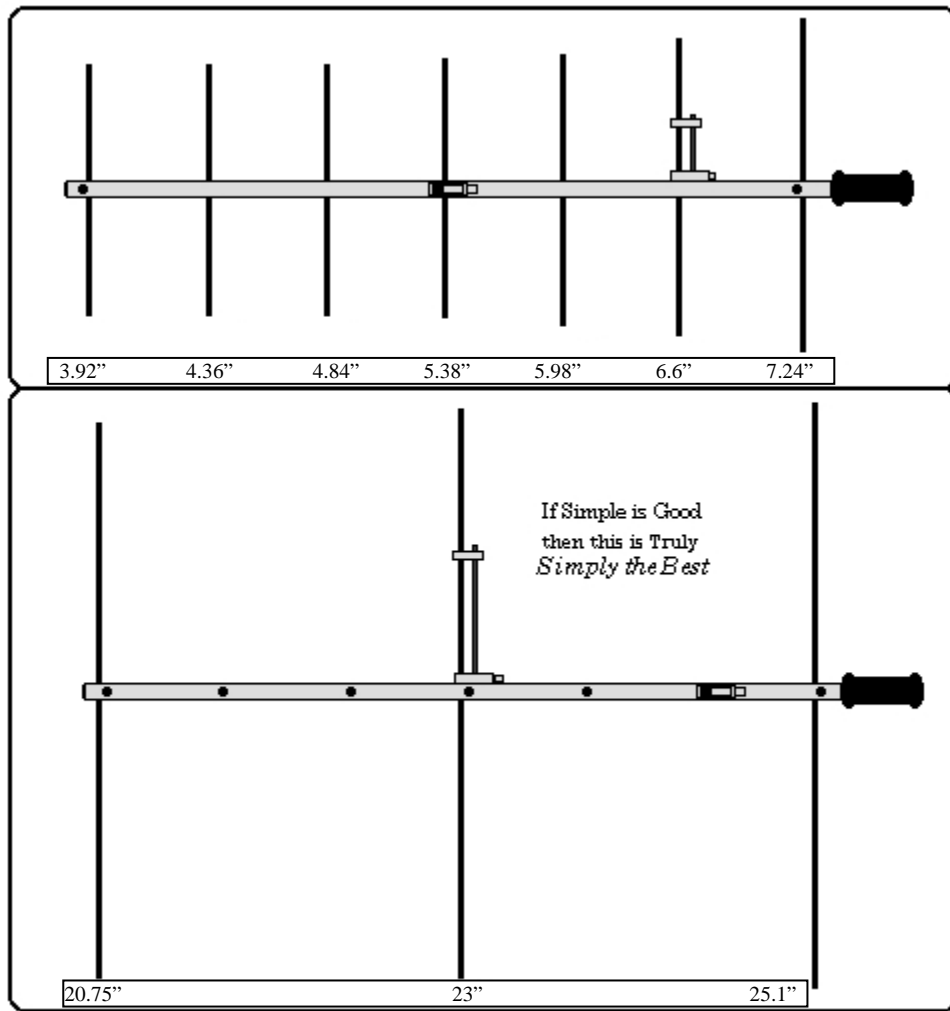
SIMPLY THE BEST

Model

121.5/406-10 (All Suffixes)

3 Elements for VHF
7 Elements for UHF

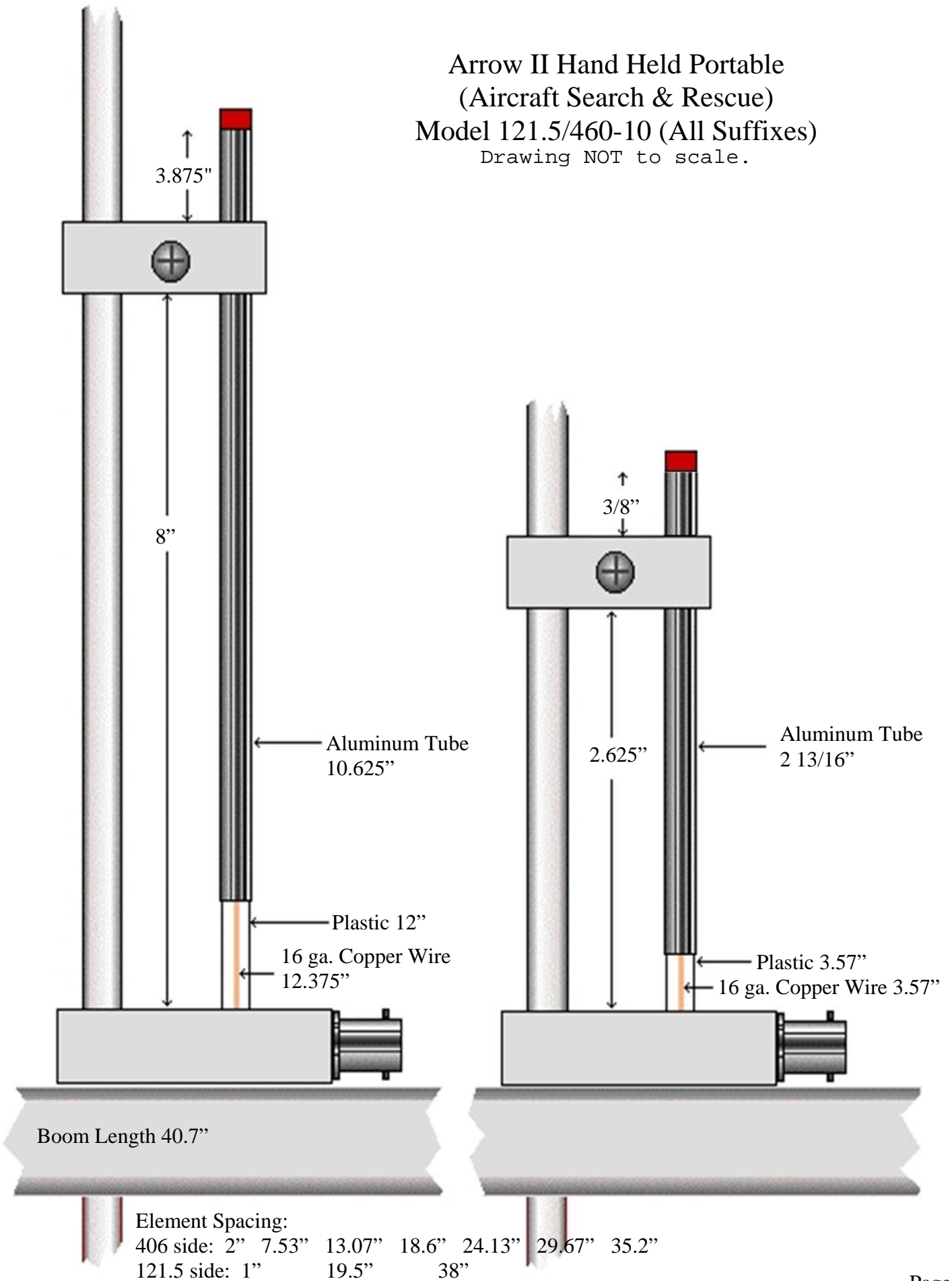
We don't invent antennas.
We simply build them better.



Assembly Instructions

Attach the elements for the frequency you want to use to the boom as shown above by screwing the elements together through holes in the boom. Attach feed lines to the BNC connectors. That's it. The antenna is pre-tuned and ready to go.

Arrow II Hand Held Portable
 (Aircraft Search & Rescue)
 Model 121.5/460-10 (All Suffixes)
 Drawing NOT to scale.



ASSEMBLY CHECKLIST FOR OUR SHIPPING DEPARTMENT.

Circle Antenna Being Assembled:

121.5/406-10BP2C 121.5/406-10

Solid Boom Split Boom

10 element holes

Hole are clear

4 tripod holes - threaded

End Caps

Foam Handle Grip

2 @ 20.75" elements

1 @ 23" driven element.

1 @ 23" non-driven element

2 @ 25.1" elements

3 studs

2 @ 3.92" elements paired

2 @ 4.36" elements paired

2 @ 4.84" elements paired

2 @ 5.38" elements paired

2 @ 6" elements paired

1 @ 6.56" driven element paired with 1 @ 656" non-driven element

2 @ 7.24" elements paired