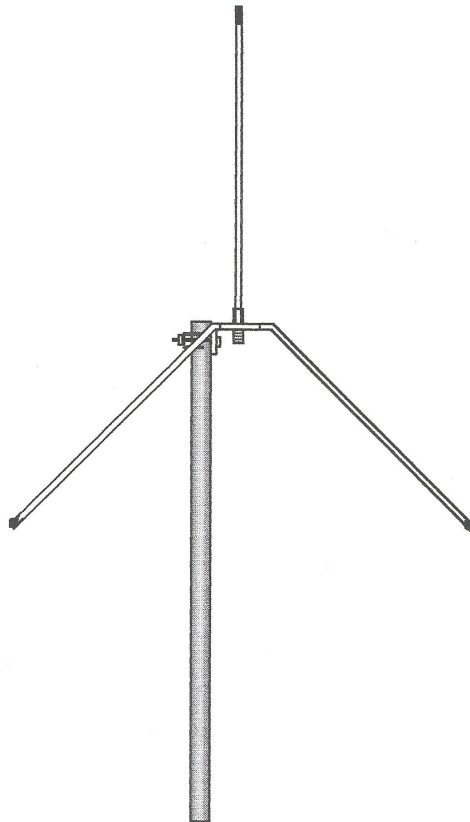


← Arrow Antenna →

911 E. Fox Farm Rd. #2
Cheyenne, WY 82007

ArrowAntennas.com
Simply the Best

(307) 222-4712
info@arrowantennas.com



146 MHz $\frac{1}{4}$ Wave Ground Plane

Guarantee

No hassle refund

If you are not completely satisfied with any ARROW ANTENNA Product it can be returned for a FULL refund less shipping and handling within 90 DAYS of purchase date.

SIMPLY THE BEST

Model

GP 146

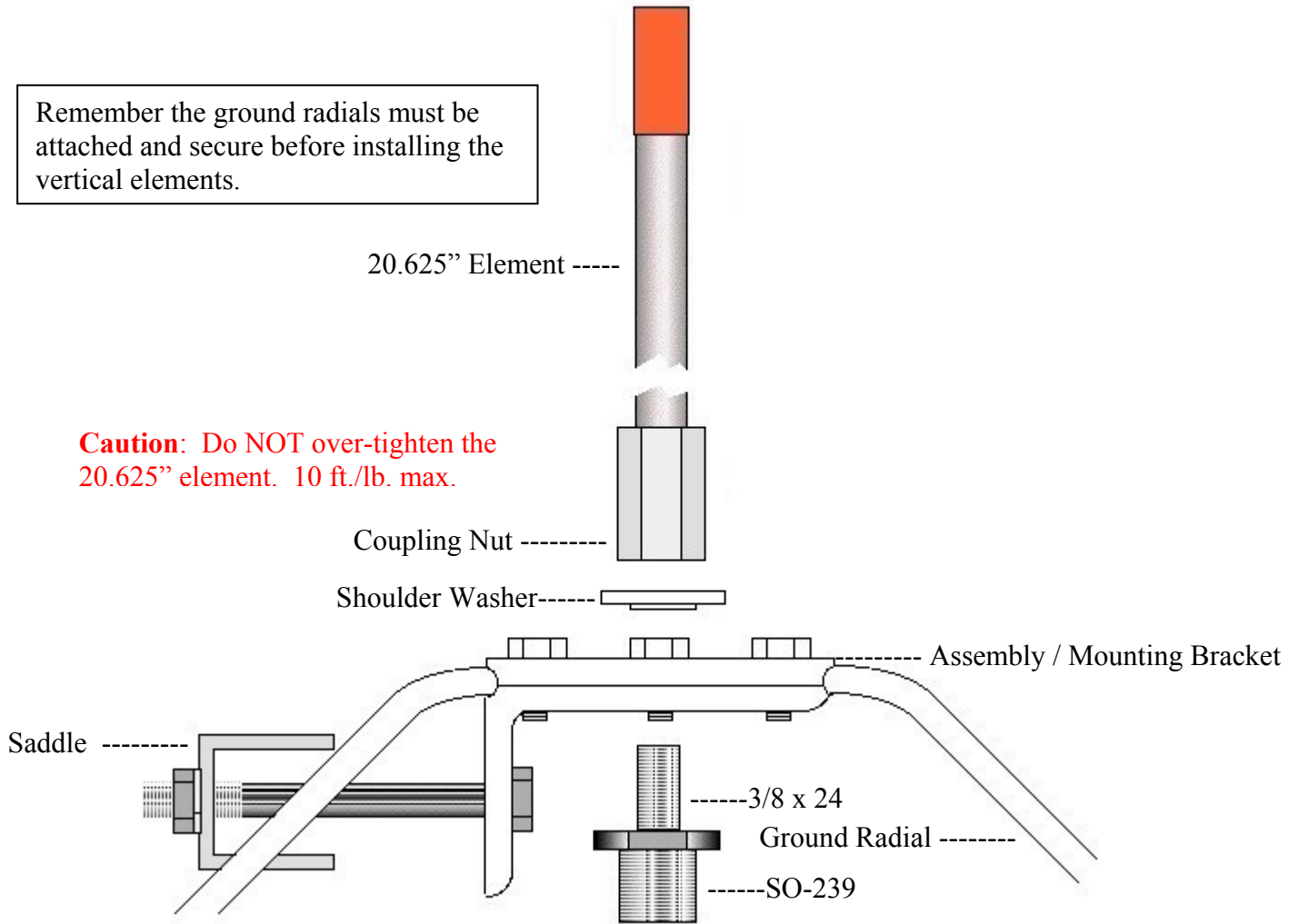
Ground Plane

We don't invent antennas.
We simply build them better.

Part #	Price	Model GP 146 Parts List
GP1461	\$7.00	3/8" X 20.625" Element with Coupling Nut and End Cap
GP1462	\$3.00	1/4" X 20" Ground Radial with End Cap (Ground Radial) (4 required)
GP00023	\$15.00	1 1/2" X 2 1/2" X 2 1/2" Assembly / Mounting Bracket
52S206	\$4.00	Saddle Clamp for mounting to a Mast up to 1 1/2" (2 for \$4.)
J14606	\$1.00	Nylon Shoulder Washer for Antenna Mount (2 for \$1.)
J14605	\$3.00	SO-239 Stud & Nylon Shoulder Washer
25C275	\$1.00	2 3/4" Bolt, Nut & Lock Washer for saddle (all Stainless)

(Please add \$8.00 S & H per order. Thank you.)

Remember the ground radials must be attached and secure before installing the vertical elements.



Assembly Instructions

Using a 7/16" wrench, loosen the three 1/4" bolts and insert the four ground radials. Be sure they are inserted all the way in and bottomed out. Snug the four bolts making sure the radials are angled down the same. After the radials are seated correctly, tighten the four bolts.

Install the 20.625" element in the center hole of the Assembly / Mounting Bracket with the nylon shoulder washer under the element as shown. Tighten with 9/16" & 3/4" wrench.

CHECKLIST FOR OUR SHIPPING DEPARTMENT
GP146

- ___ 3/8" x 20.625" Element with Coupling Nut and End Cap
- ___ 4 @ 1/4" x 20" Ground Radials with End Cap
- ___ 1 1/2" x 2 1/2" x 2 1/2" Assembly / Mounting Bracket – has **4 bolts** and 1 hole.
- ___ Saddle Clamp
- ___ SO-239 Stud & Nylon Shoulder Washer
- ___ 2 @ 2 3/4" Bolts, Nuts & Lock Washers for saddle