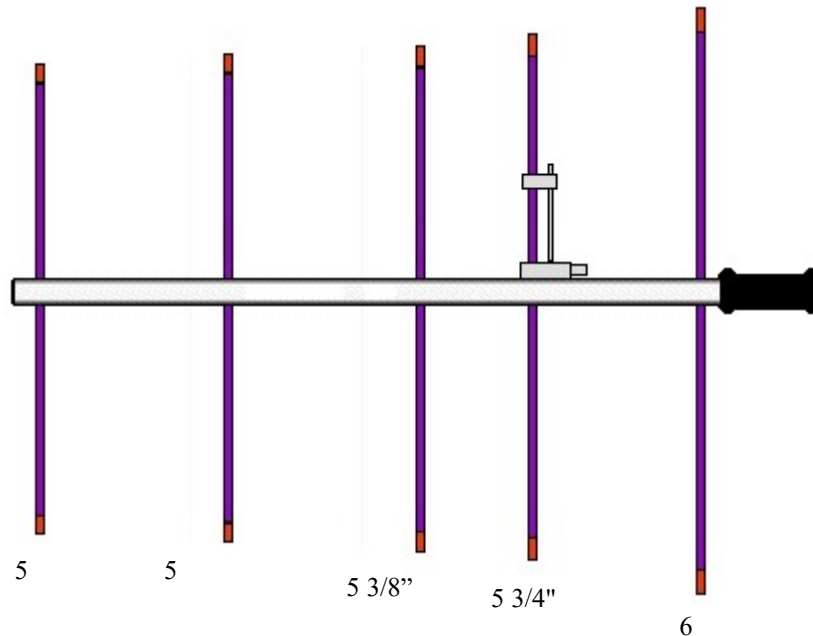


← Arrow Antenna →

1938 Wyott Drive
Unit D3
Cheyenne, WY 82007

ArrowAntennas.com
Simply the Best

(307) 222-4712
info@arrowantennas.com



5 Element Portable Antenna for 70 cm

The Arrow II line of antennas has been engineered to provide maximum gain and efficiency in the smallest practical size & weight. **ONLY 12 oz.**

Aluminum **Arrow Shafts** are used for elements.

The in-line gamma match is pre-assembled & pre-tuned. BNC connector only.

The boom is $\frac{3}{4}$ " square (with round corners) 24" long. Note the big black foam grip for easy holding.

Boom & elements all have plastic tips for safety.

Guarantee

No hassle refund

If you are not completely satisfied with any ARROW ANTENNA Product it can be returned for a FULL refund less shipping and handling within 90 DAYS of purchase date.

SIMPLY THE BEST

Model

440-5

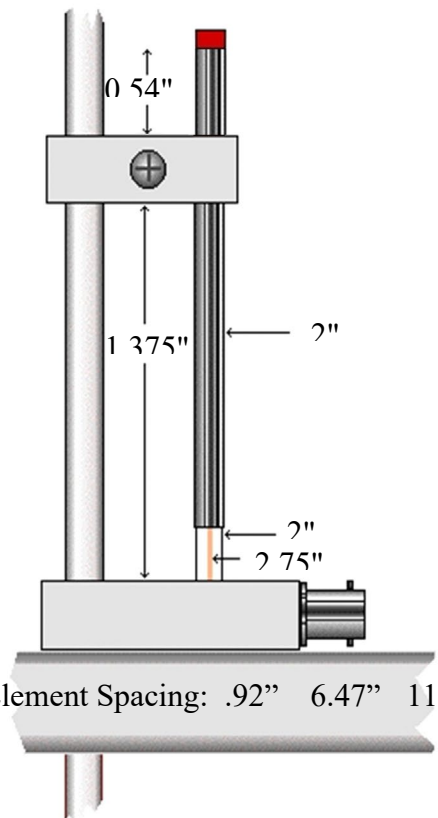
5 Elements for the 70 cm band.

We don't invent antennas.
We simply build them better.

Part #	Model 440-5 Parts List
14644010	Boom - with End Caps and Foam Handle 24"
146440BP	2 piece Boom - with End Caps and Foam Handle 24"
440D1	5 3/8" 3 rd Director Element Pair - with End Caps, Inserts, & Stud
440D1	5 3/8" 2 nd Director Element Pair - with End Caps, Inserts, & 2 1/4 Stud
440D1	5 3/8" 1 st Director Element Pair - with End Caps, Inserts, & 2 1/4 Stud
440DE	5 3/4" 437 Driven Element pair - with Gamma Match, End Caps, Inserts & Stud
440RE	6 1/4" Reflector Element Pair - with End Caps, Inserts, & Stud
2.250	2 1/4 " All Thread Stud for all Elements (2 for \$1.)
SC 9/32	Red End Caps For Elements (10 for \$1.)
FP 125	Black End Caps for the Boom (4 for \$1.)
3128 Black	Black Foam Handle Grip

Assembly Instructions

Attach the elements to the boom as shown above by screwing the elements together through holes in the boom. Attach feed lines to the BNC connectors. That's it. The antenna is pre-tuned and ready to go.



Boom Length 24" Element Spacing: .92" 6.47" 11.14" 13.09" 18.25"

ASSEMBLY CHECKLIST FOR OUR SHIPPING DEPARTMENT.

Circle Antenna Being Assembled:

440-5

Solid Boom Split Boom

5 element holes

Hole are clear

4 tripod holes - threaded

End Caps

Foam Handle Grip

6 @ 5.375" elements paired

1 @ 5.75" driven element paired with 1 @ 5.75" non-driven element

2 @ 6.25" elements paired