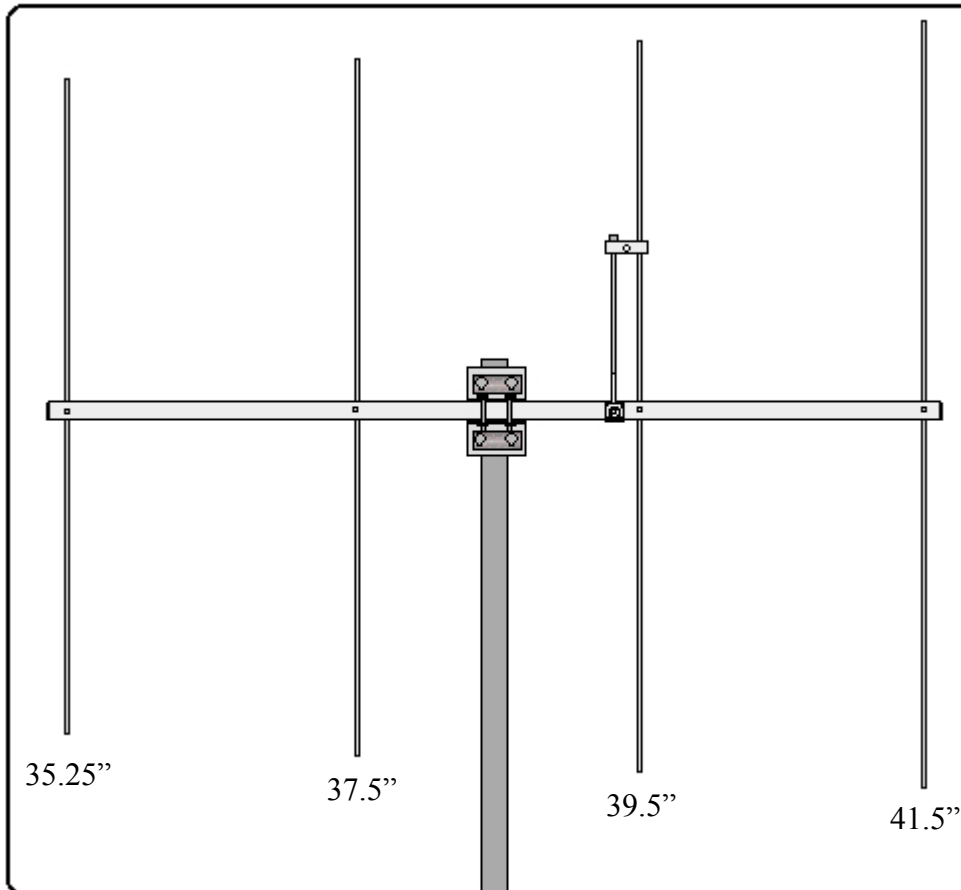


Arrow Antenna

911 E. Fox Farm Rd. #2
Cheyenne, WY 82007

ArrowAntennas.com
Simply the Best

(307) 222-4712
info@arrowantennas.com



Shown Center Mounted. Can also be end mounted.

Boom Length: 48"

Element Spacing: 1" 16 3/8" 30 3/4" 31 3/4" 47 1/8"

Guarantee

No hassle refund

If you are not completely satisfied with any ARROW ANTENNA Product it can be returned for a FULL refund less shipping and handling within 90 DAYS of purchase date.

SIMPLY THE BEST

Model

146-4Solid Stacked Set

We don't invent antennas.
We simply build them better.

Model 146-4SS Parts List

Part #	Price	
146SS	\$18.00	Spreader Boom 1" x 48" x .062" wall with 3 connectors and end caps. Specify connectors.
146S01	\$18.00	Boom 1" Sq. X 48" X .062 wall
146S02	\$ 6.00	Reflector Element 1/4" X 41 1/2"
146S03	\$ 6.00	Driven Element 1/4" X 39 1/2"
146S04	\$ 6.00	1st Director Element 1/4" X 37 1/2"
146S05	\$ 6.00	2nd Director Element 1/4" X 35 1/4"
146S06	\$.50	#4 - 40 X 3/4" Element Screws (Stainless)
146S07	\$ 9.00	Gamma Match Assembly (7" Plastic - 7" Aluminum & 7" Copper on Connector)
146S08	\$12.00	Shorting Bar Assembly (3 piece)
146S09	\$.25	Plastic End Caps for Boom (1" Sq. X .062)
M/B	\$15.00	Mounting Bracket – specify size of boom. 3 different sizes available. (Please add \$8.00 S & H per order. Thank you.)

Assembly Instructions

Important:

Remove the connector from the boom (4 screws). Turn the connector 90 degrees and reinstall with the copper rod sticking out through the rubber grommet in the boom.

Thread each of the 1/4" round elements with a #4-40 x 3/4" stainless steel screw into the center of each element. This is to make sure all the elements are threaded properly and that the screws start easy.

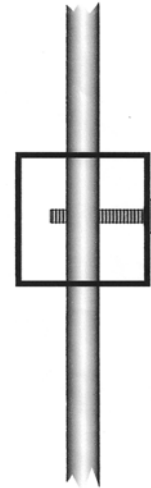
Lay out the elements according to size. The dimensions and position of each element are shown on the front page of these instructions. Attach the elements to the boom as shown.

Caution:

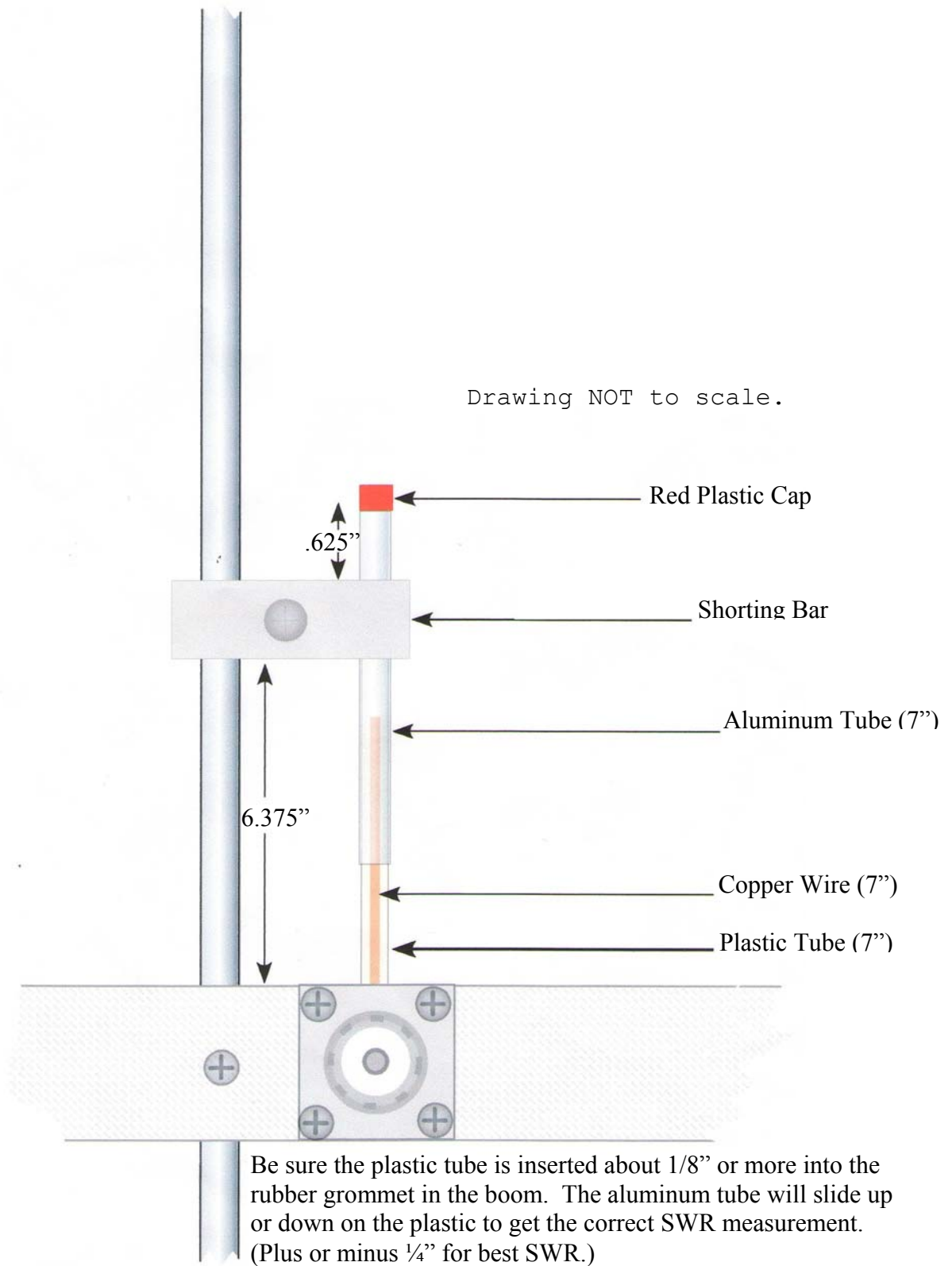
Do NOT over tighten the screw or it will bend the element.
Turn the screw just until it is snug then 1/4 turn more.

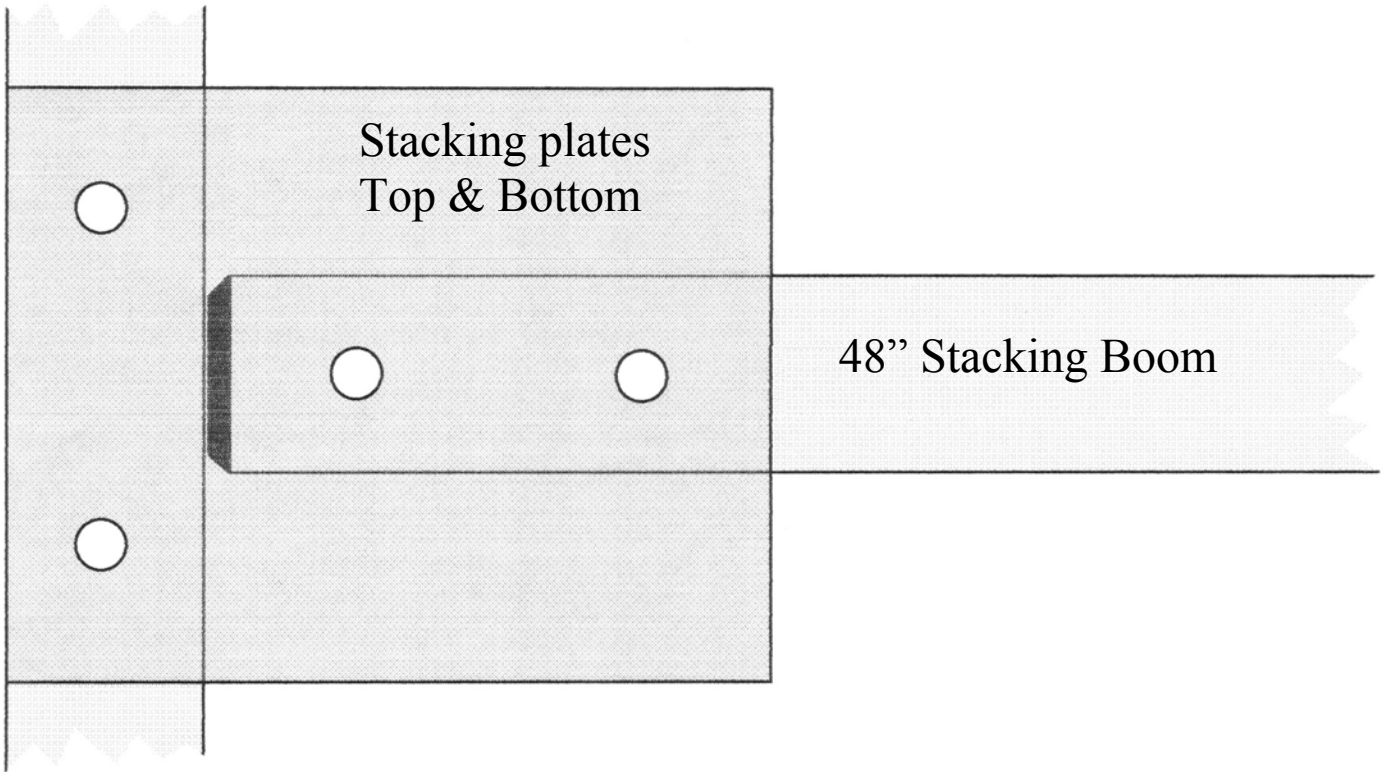
Then slide the plastic tube fo the gamma match over the copper rod. The plastic tube should go through the rubber grommet at least 1/8". Then slide the aluminum tube over the plastic tube. Loosen the screw of the shorting bar and slide it over the driven element and the gamma match. (See Gamma Match Adjustment Sheet)

Shorting Bar

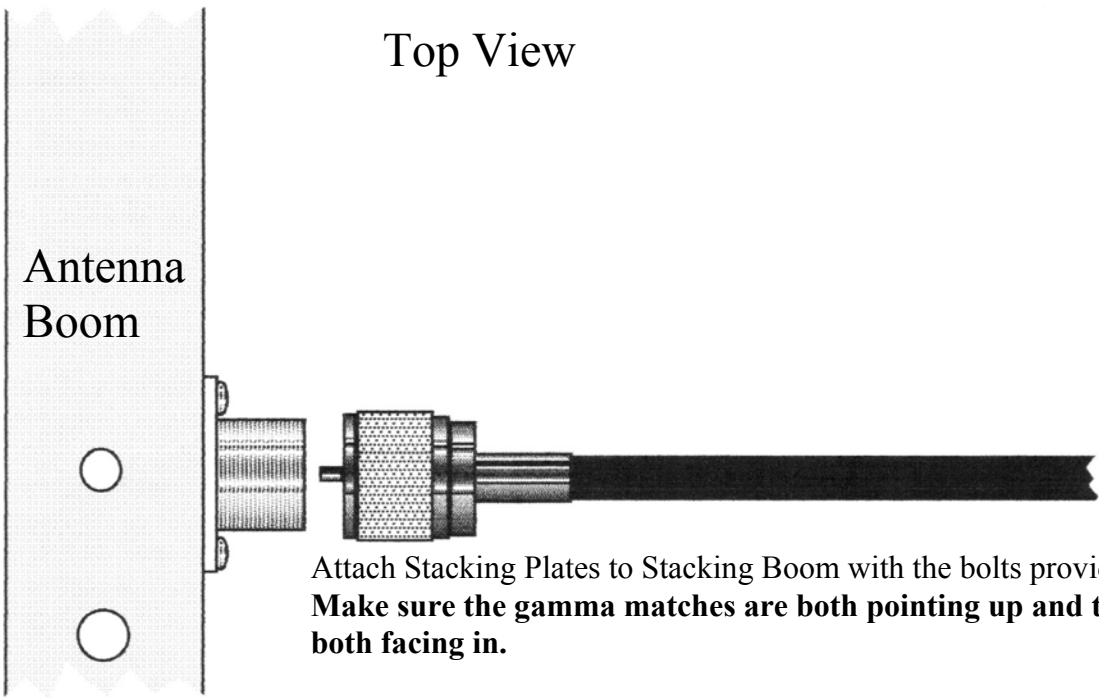


146-4S Gamma Match Setting



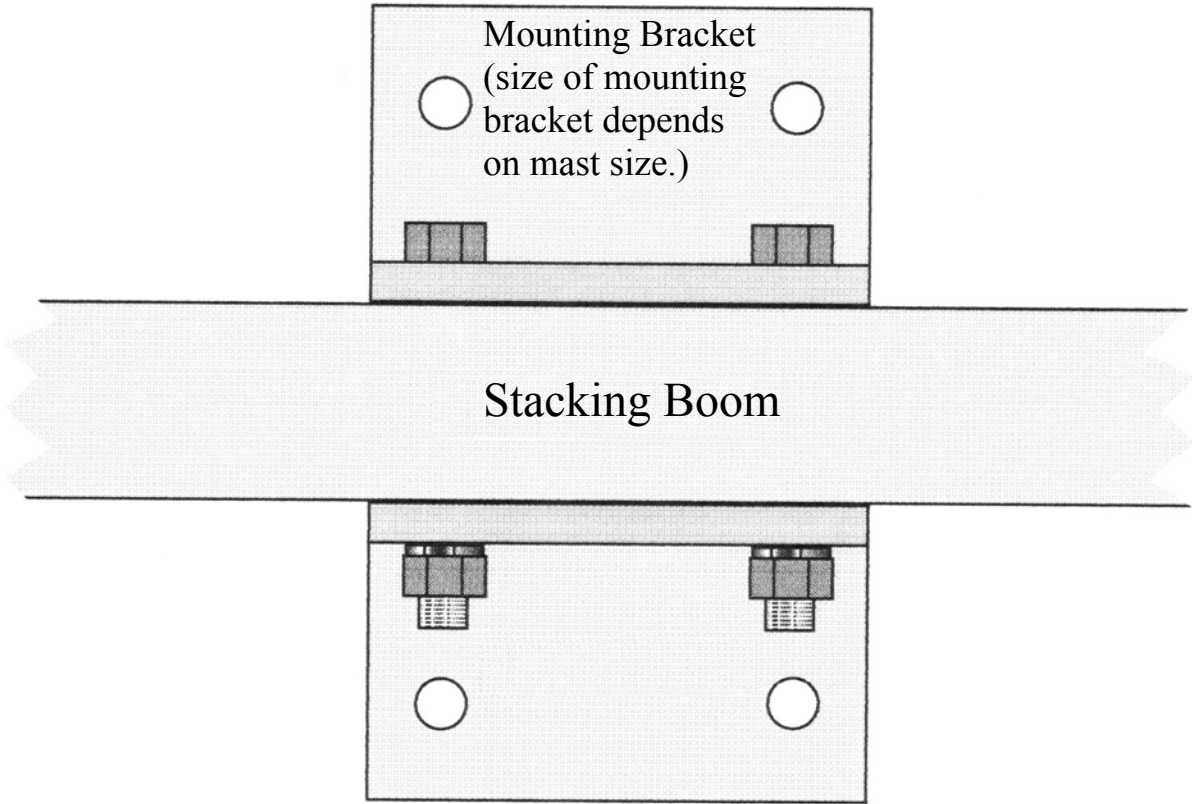


Top View



Attach Stacking Plates to Stacking Boom with the bolts provided.
Make sure the gamma matches are both pointing up and the connectors are both facing in.

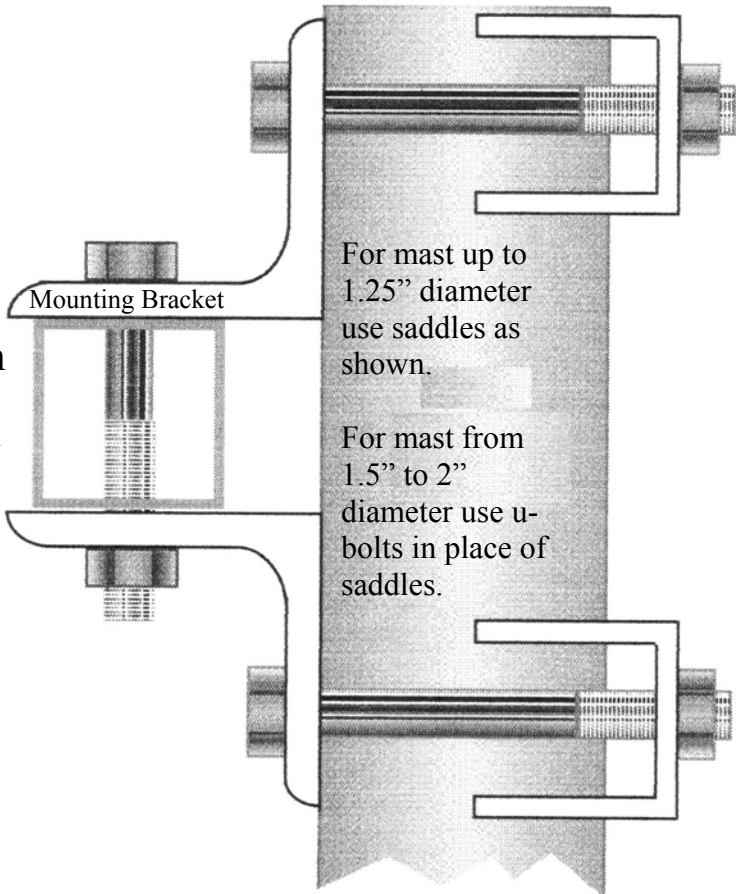
Stacking Boom Mounting



For mast up to 1.25" diameter use saddles as shown. **Use of saddles is only available for vertical elements.**

For mast from 1.5" to 2" diameter use u-bolts in place of saddles. Vertical element mounting is shown (stacking boom is horizontal). For horizontal element mounting, use same parts, but mount spreader boom vertically in parallel with the mast. U-bolts will fit across the mast into the mounting brackets.

Stacking Boom
(Vertical element orientation is shown with stacking boom horizontal.)



CHECKLIST FOR OUR SHIPPING DEPARTMENT

Circle Antenna being built:

146-4SSV N

146-4SSV SO-239

146-4SSH N

146-4SSH SO-239

Mast Size: ___ up to 1.25"

___ 1.25" – 2"

___ 2" - 2.5"

___ 2 N Connectors

___ 2 SO-239 Connectors

___ 2 Connector replacement signs.

___ 2 @ 1" x 48" 146-4SS Booms with opposing connector holes.

___ 1 Spreader Boom (1" x 48") with connectors and end caps.

___ 8 Element holes

___ 8 Set screw holes

___ 2 Black end caps.

___ 2 Black gromets in boom adjacent to connector hole.

___ 10 @ #4 - 40 X 3/4" Element Screws (Stainless) – 2 are extra.

___ 2 Gamma Match Assemblies (7" Plastic - 7" Aluminum & 7" Copper on Connector)

___ 2 Shorting Bar Assembly (3 piece)

___ 2 Reflector Element 1/4" X 41 1/2"

___ 2 Driven Element 1/4" X 39 1/2"

___ 2 1st Director Element 1/4" X 37 1/2"

___ 2 2nd Director Element 1/4" X 35 1/4"

___ 2 Coax Jumpers

___ 4 Stacking Plates

___ 12 bolts, nuts & lock washers 1/4-20 x 1.75"

For up to 1.25" mast (146-4SSV ONLY!):

___ 2 Mounting Brackets (M/B) ___ 2 Saddles ___ 4 bolts, nuts & lock washers 1/4-20 x 2.75"

For 1.25" to 2" mast:

___ 2 Mounting Brackets M/B U2 ___ 2 small u-bolts, nuts and lock washers.

For 2" to 2.5" mast:

___ 2 Mounting Brackets M/B U2.5 ___ 2 large u-bolts, nuts and lock washers.