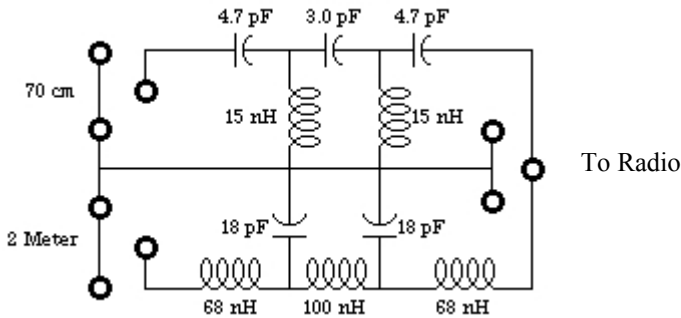


		
911 E. Fox Farm Rd. #2 Cheyenne, WY 82007	ArrowAntennas.com <i>Simply the Best</i>	(307) 222-4712 info@arrowantennas.com

Model 10W (Low Power)

When ordered together, duplexer comes installed in the boom.

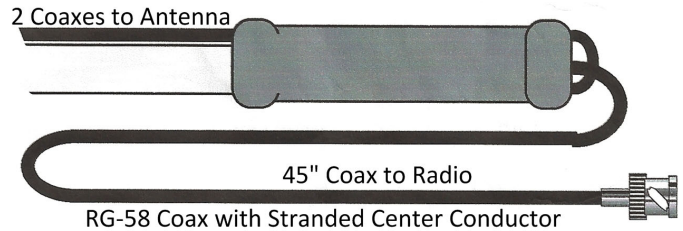
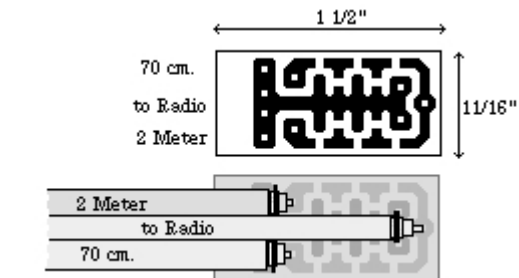
Duplexer for 146/437-10



All surface mount components.

Maximum Power is 10 Watts.

Duplexer fits inside the boom. Coax is routed under Foam Grip.



Guarantee

No hassle refund

If you are not completely satisfied with any ARROW ANTENNA Product it can be returned for a FULL refund less shipping and handling within 90 DAYS of purchase date.

SIMPLY THE BEST

Installation:

1. Remove the foam grip and the plastic end cap from the boom.
2. Slide the Duplexer in the end of the boom at an angle. Reseat new plastic end cap.
3. Using your finger, apply some corn starch to the inside of the foam grip and to the antenna cables and boom.
4. Slide the foam grip over the coax cables and boom as shown above.
5. Blow the corn starch off with an air can or compressed air.